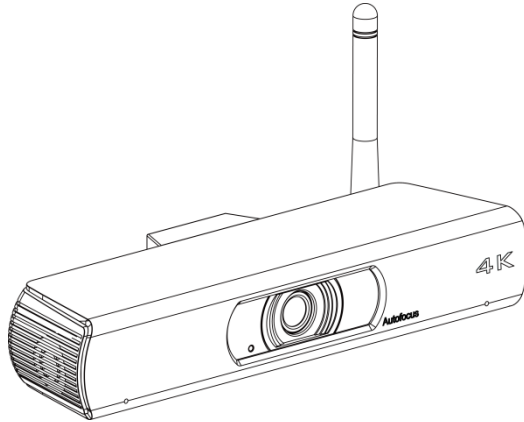


Integrated Intelligent HD Video Conference Terminal



User Guide English (V1.0)

Copyright Notice

All contents of this manual, whose copyright belongs to our Corporation cannot be cloned, copied or translated without the permission of the company. Product specifications and information which were referred to in this document are for reference only. We may change, delete, or update any content at any time and without prior notice.



Warning

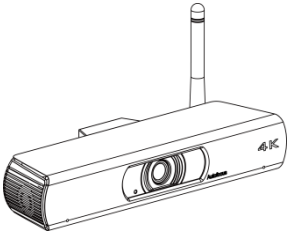
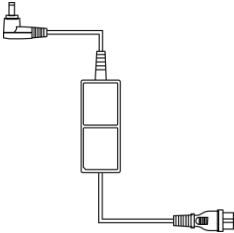

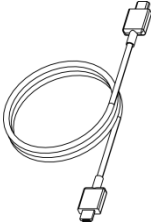

This is class A production. Electromagnetic radiation at specific frequencies may affect the image quality of TV in home environment.

Catalogue

1	Packing List	1
2	About Product.....	2
2.1	Product Features.....	2
2.2	Product Appearance.....	3
2.3	Product Specifications.....	4
3	Installation Connection	7
4	Remote Control.....	9
5	GUI Main Interface	10
6	Basic Settings	11
6.1	Language Settings	11
6.2	Date and Time Settings	11
6.3	Network Settings	11
6.4	Reset Network.....	12
6.5	Factory Data Reset	12
6.6	System Update.....	13

1 Packing List

When unpacking, please check and confirm all attachments that should be provided.

		
<p>HD Video Conference Terminal x 1</p>	<p>Power Adapter x 1</p>	<p>Remote Control x 1</p>
		
<p>HDMI Cable x 1</p>	<p>User Guide x 1</p>	

2 About Product

Integrated intelligent high-definition video conference terminal, using Android operating system, with a variety of audio and video and wired and wireless input and output interface configuration, audio and video interaction, desktop sharing, multimedia sharing, recording and other functions in one, to meet users daily meetings, remote training High-end professional applications in various scenarios such as telemedicine, collaborative office, command and dispatch.

2.1 Product Features

Integrated Platform Integration Design

The platform supports audio input and output; two HDMI output interfaces; one LAN interface; one USB 2.0 interface; supports dual-band 2.4/5 GHz Wi-Fi interface; and supports Bluetooth 2.1/3.0/4.1/5.0 protocol, the integration of the conference terminal platform is fully integrated.

4K Ultra HD

Support 4K Ultra HD, ultra high definition with ultra high resolution, while backward compatible with 1080p and 720p resolution.

Autofocus Lens

Wide-angle field of view up to 84°, small lens with large field of view, and support for EPTZ, so as not to move.

Built-in Microphone

The built-in microphone array can pick up the sound in all directions, and the pickup distance is up to six meters. The excellent noise suppression ability can produce perfect sound effects.

Android Operating System

The Android operating system version 6.0 can seamlessly port Android video conferencing applications, combining software and hardware, tailored to the needs of customers.

Fully Open API

Fully Open API, support the development of third-party applications, easy to customer secondary development to achieve customization needs.

Wi-Fi

Dual-Band Wi-Fi (2.4G and 5G wireless signals) and supports IEEE 802.11a/b/g/h.

Internal Storage

Support internal storage, storage space up to 12G.

External Storage

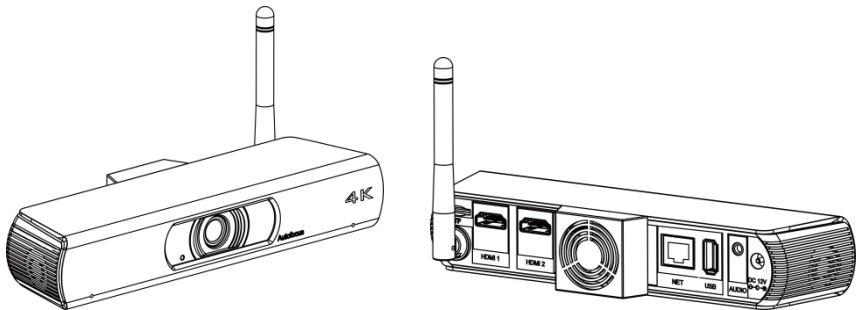
Support Micro SD card or U disk external storage, storage space up to 32G.

Low Noise and High Signal to Noise Ratio

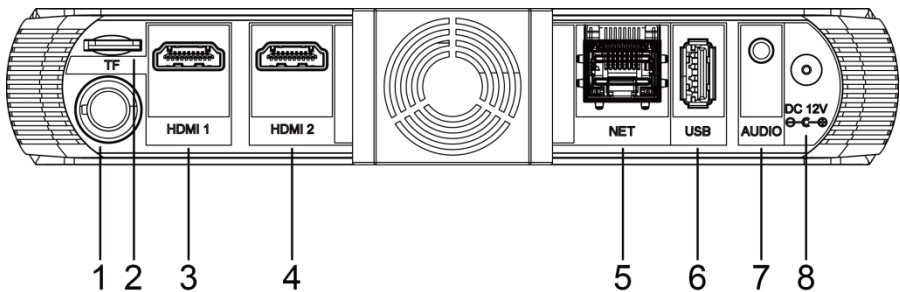
The low noise CMOS effectively guarantees an ultra-high signal-to-noise ratio of the camera video. Advanced 2D and 3D noise reduction technology further reduces noise while ensuring image clarity.

2.2 Product Appearance

Appearance



Interface



No.	Name	Function
1	Wi-Fi	Wireless Wi-Fi interface for wireless connectivity.
2	TF	TF card slot for inserting an SD card.
3	HDMI 1	HDMI output interface 1, connected to the terminal and HDTV via HDMI cable.
4	HDMI 2	HDMI output interface 2, connected to the terminal and HDTV via HDMI cable.
5	NET	Network interface, the terminal is connected to the network through the network cable.
6	USB	USB interface for external USB devices such as USB flash drives, keyboards, microphones or speakers.
7	AUDIO	3.5mm audio input and output interface, used to connect to the sound input source of computer, mobile phone, etc., or connect the speaker and terminal through the audio cable to output sound.
8	DC 12V	DC 12V power input interface for connecting the matching power adapter.

2.3 Product Specifications

Hardware Platform	
Operating System	Android 6.0
Processor (CPU)	Based on 64-bit 10 cores: two 2.3GHz Cortex-A72, four 1.85GHz Cortex-A53 + four 1.4GHz Cortex-A53 processors
Image processor (GPU)	Built-in MALI T880-MP4 800MHz graphics processor
Memory	Built-in 12G storage space, external storage space up to 32G
Video codec	H.263, H.264, H.265/HEVC, MPEG-4 SP/ASP, DIVX4/DIVX5/DIVX6/DIVX HD/XVID etc.
Audio codec	G.711A, G.711U, G.722, G.729, Opus, Speex, GSM, iLBC, iSAC, L16
Wi-Fi Standard	Dual frequency (2.4/5 GHz) supports IEEE 802.11a/b/g/h

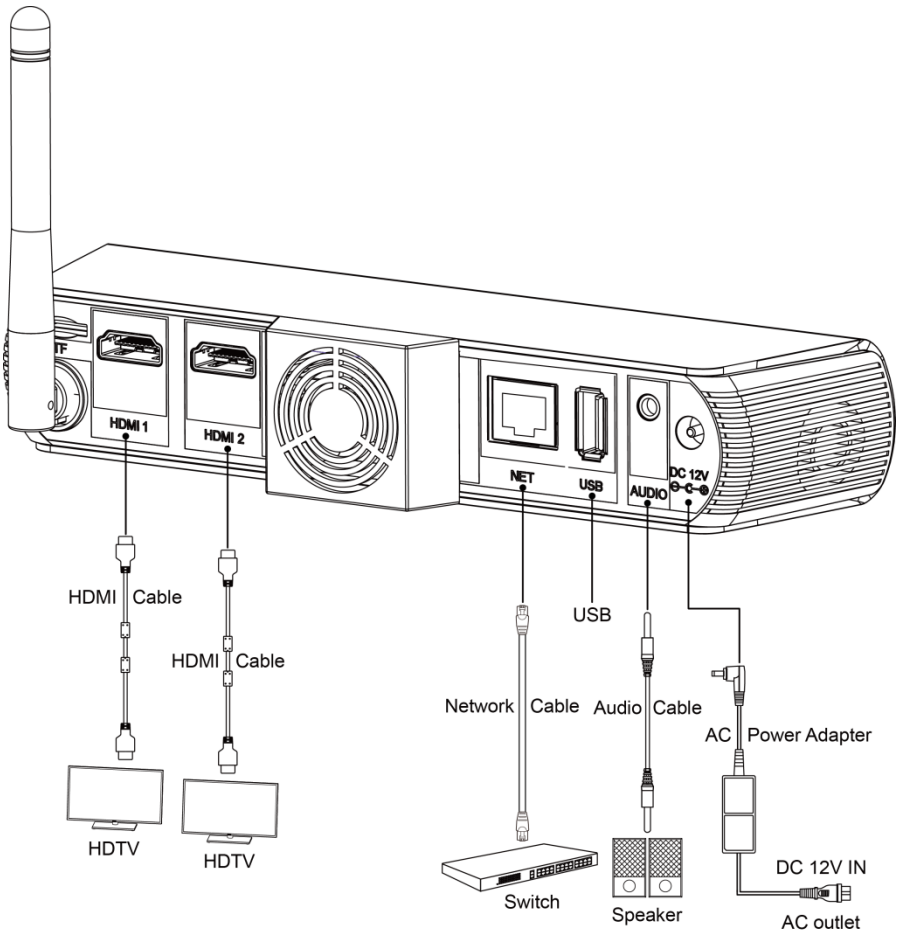
Video Feature	
Active Image Resolution	<ul style="list-style-type: none"> ● 1080p: Minimum bandwidth 512Kbps ● 720p: Minimum bandwidth 384Kbps ● 4SIF/4CIF: Minimum bandwidth 128Kbps ● SIF/CIF/QSIF/QCIF/SQSIF/SQCIF: Minimum bandwidth 64Kbps
Data Content Resolution	<ul style="list-style-type: none"> ● Input: built-in 4K camera / wireless projection ● Codec: 800x600, 1024x768, 1280x1024, 1280x720, 1920x1080 ● Output: 800x600, 1024x768, 1280x1024, 1280x720, 1920x1080
Active Double Stream	Dual 1080P or 720P
Built-in 4K Ultra HD Camera	<ul style="list-style-type: none"> ● Input: 4K@30fps/25fps ● Sensor: 1/2.5 inch, CMOS, effective pixels: 8.51 million ● Scanning method: Progressive ● Lens focal length: $f = 3.5\text{mm}$, horizontal field of view: 84° ● Auto focus: Support
Other Image Feature	Support display modes such as PIP or POP
Audio Feature	
Audio Feature	<ul style="list-style-type: none"> ● Automatic Echo Cancellation (AEC) ● Automatic Gain Control (AGC) ● Automatic Noise Suppression (ANS) ● Support Lip Sync
Input/output Interface	
Audio Input Interface	1 x Built-in microphone input
Audio Output Interface	1 x 3.5mm linear output
Video Input Interface	1 x Built-in fixed focus 4K, 8.51 million video capture, support EPTZ function
Video Output Interface	2 x HDMI Video Output

USB Interface	1 x USB2.0
TF Interface	1 x TF Card Interface
Network Interface	1 x RJ45: 10/100Base-T(X)
Wi-Fi Interface	Wireless dual-band Wi-Fi (2.4G and 5G wireless signals)
Physical Parameter	
Input Voltage	DC 12V
Input Current	0.8A
Power Consumption	9.6W
Temperature	0°C ~ 40°C (working status), -40°C ~ 70°C (non-working status)
Relative Humidity	10% ~ 80% (working status), 0% ~ 95% (non-working status)
Ambient Noise	Less than 46dBA SPL
Minimum Illumination	5lux
Recommended illumination	More than 300lux
Dimension	194.5mm x 59mm x 34mm (without bracket)
Net Weight	0.25 Kg (without bracket)

3 Installation Connection

The terminal can be mounted on a monitor or placed directly on a horizontal desktop.

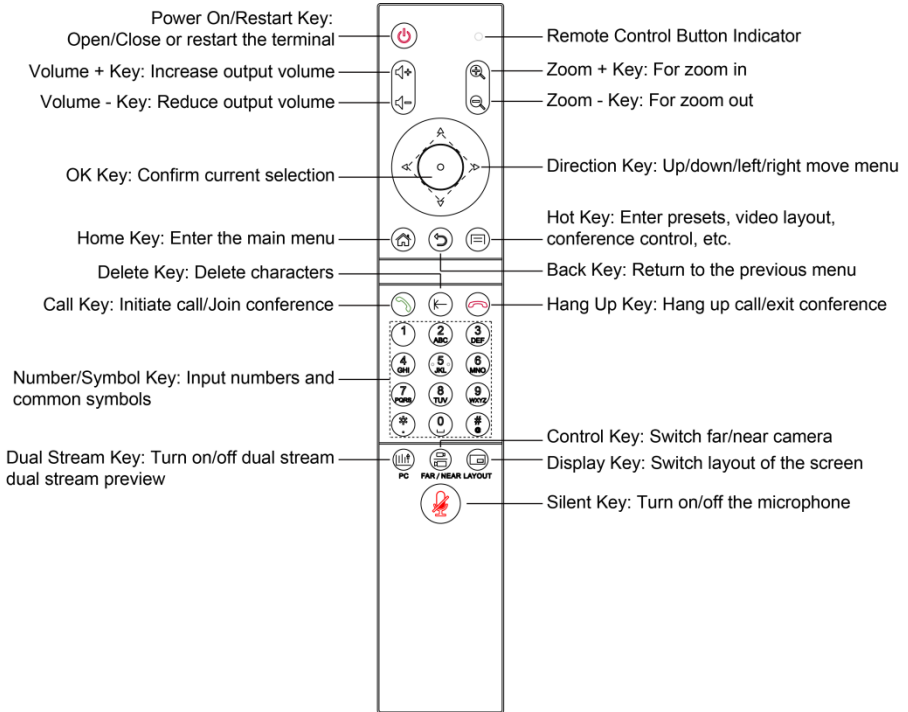
The cable connections shown in the following figure contain optional configurations. They are for reference only. Please connect cables according to actual needs.



The connection configuration is as follows:

- Input/output sound: Use a 3.5mm audio cable to connect the sound input source such as computer or mobile phone to the AUDIO interface of the terminal; or use a 3.5mm audio cable to connect the audio to the AUDIO interface of the terminal to output sound.
- Output the main video image: Connect the HDMI 1 interface of the terminal to the HDMI input interface of the display device using an HDMI cable.
- Output the second video image: Connect the HDMI 2 interface of the terminal to the HDMI input interface of the display device using an HDMI cable.
- Connect to the network: Connect the NET interface with a network cable to connect the terminal to the network.
- Connect the power: Connect the DC 12V power cord to the supplied power adapter and connect the power adapter to a power outlet.


4 Remote Control

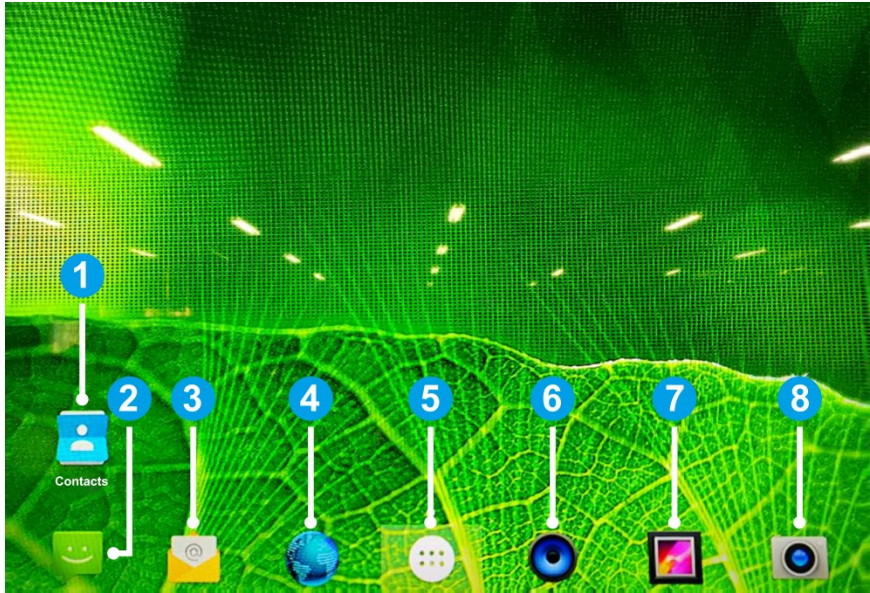


Notice



The remote control may be affected by strong light, and the normal working distance is about ten meters.

5 GUI Main Interface

Press the remote control menu button  to enter the GUI main interface.



No.	Description	No.	Description	No.	Description
1	Contacts	2	Message	3	Email
4	Browser	5	Main Menu	6	Music
7	Albums	8	Camera		

Press the remote control confirmation button  to enter the menu, press the remote control back button  to return to the previous menu, press the direction button of the remote control to move the menu up, down, left and right.

6 Basic Settings

6.1 Language Settings

Step 1 Enter the GUI main interface, select "Main Menu > Settings > Personal > Language & input > Language".

Step 2 Return after setting the system language you need.

Step 3 End.

6.2 Date and Time Settings

Step 1 Enter the GUI main interface, select "Main Menu > Settings > System > Date & time".

Step 2 Set parameters such as date, time and date format.

Step 3 Select "OK", save configuration information.

Step 4 End.

Parameter	Description
Automatic date & time	Enable "Automatic date & time" to indicate the time provided by the network.
Automatic time zone	Enable "Automatic time zone" to indicate the time zone provided by the network.
Set date	Set the date when disable "Automatic date & time" to take effect.
Set time	Set the time when disable "Automatic date & time" to take effect.
Select time zone	Select the time zone when disable "Automatic time zone" to take effect.
Use 24-hour format	Set whether to use the 24-hour format.

6.3 Network Settings

Step 1 Enter the GUI main interface, select "Main Menu > Settings > Wireless & networks > Ethernet".

Step 2 Check "Ethernet", open the Ethernet.

Step 3 Set network parameters such as IP address, gateway and subnet mask etc.

Step 4 Select “OK”, save configuration information.

Step 5 End.

Parameter	Description
Use DHCP settings	The terminal automatically obtains IP address through DHCP server.
Use static settings	The IP address of the terminal is assigned by the network administrator. You need to enter parameters such as IP address, gateway and subnet mask etc.
IP address	Configure the IP address of the terminal.
Gateway	Configure the default gateway address of the terminal.
Subnet mask	Configure the subnet mask of the terminal.
Domain1	Configure the domain name address 1 of the terminal.
Domain2	Configure the domain name address 2 of the terminal.

6.4 Reset Network

Step 1 Enter the GUI main interface, select “Main Menu > Settings > Personal > Backup & reset”.

Step 2 Select “Network settings reset > reset settings”, reset network settings such as WLAN, mobile network and Bluetooth etc.

Step 3 End.

6.5 Factory Data Reset

Step 1 Enter the GUI main interface, select “Main Menu > Settings > Personal > Backup & reset”.

Step 2 Select “Factory data reset”, restore the terminal to factory settings.

Step 3 End.



Warning

After restoring the factory settings, all the terminal parameters you configured earlier will be lost, please be careful settings!

6.6 System Update

- Step 1** Enter the GUI main interface, select “Main Menu > Settings > System > About device”.
- Step 2** Select “System Update”, check the update mode.
- Step 3** Select “Start Update”, the system of terminal starts to update.
- Step 4** Complete the update.
- Step 5** End.