



## Prestel VA-PTZ210U2

Audio-video Conferencing Room Solution



**USER MANUAL**

# Attentions

---

**This manual introduces functions, installation and operations for this audio-video conferencing room solution in details. Please read this manual carefully before installation and use.**

## **1. How to Use**

To prevent damage to this product or any product connected to it, this product can only be used within the specified range.

- 1.1 Do not expose the product to rain or moisture.
- 1.2 To prevent the risk of electric shock, do not open the case. Installation and maintenance should only be carried out by qualified technicians.
- 1.3 Do not use the product beyond the specified temperature, humidity or power supply specifications.
- 1.4 Wipe it with a soft, dry cloth when cleaning the camera lens. Wipe it gently with a mild detergent if needed. Do not use strong or corrosive detergents to avoid scratching the lens and affecting the image;

## **2. Electrical Safety**

Installation and use of this product must strictly comply with local electrical safety standards.

## **3. Handle with care**

Avoid damage to product caused by heavy pressure, strong vibration or immersion during transportation, storage and installation.

## **4. Install with Caution**

- 4.1 Do not rotate the camera head violently, otherwise it may cause mechanical failure;
- 4.2 This product should be placed on a stable desktop or other horizontal surface. Do not install the product obliquely, otherwise it may display inclined image;
- 4.3 Housing of this product is made of organic materials. Do not expose it to any liquid, gas or solids which may corrode the shell.
- 4.4 Ensure there are no obstacles within rotation range of the holder.
- 4.5 Do not power on before completely installation.

## **5. Do not Disassemble the Product without Permission**

This product contains no parts which can be maintained by users themselves. Any damage caused by dismantling the product by user without permission is not covered by warranty.

## **6. Magnetic Interference**

Electromagnetic fields at specific frequencies may affect the image. This product is Class A. It may cause radio interference in household application. Appropriate measure is required.

# Content

## ATTENTIONS1

### 1. Packing Contents3

### 2. Product Overview3

2.1 Speakerphone ..... 3

2.2 HD PTZ Camera ..... 4

2.3 Hub..... 4

### 3. Connection Description5

### 4. Keys Description6

4.1 Keys Description of Remote Control..... 6

4.2 Keys Description of Speakerphone7

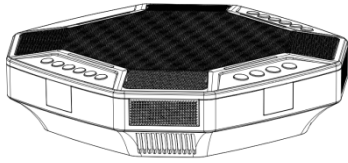
### 5. Bluetooth Pairing 8

### 6. Preset 8

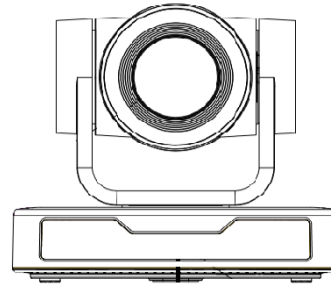
### 7. Technical Specifications 9

# 1. Packing Contents

1



2



3



4



5



6



7

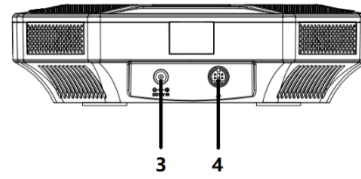
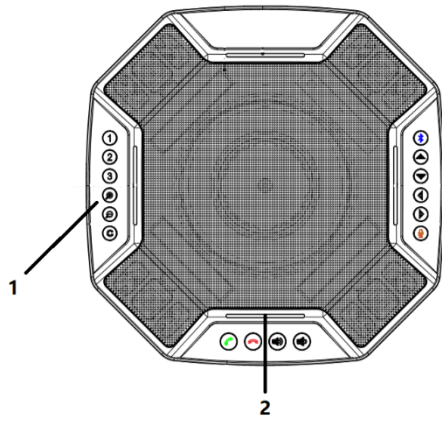


1. Speakerphone
2. HD PTZ Camera
3. Hub
4. Remote Control

5. 5m DIN6 Cable \* 2 pcs
6. 3m USB cable \*1 pcs
7. Power Supply

## 2. Product Overview

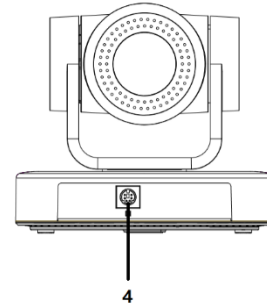
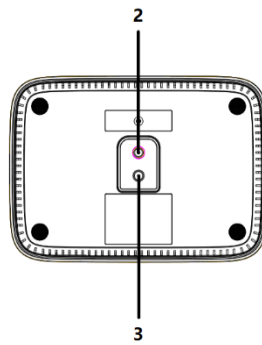
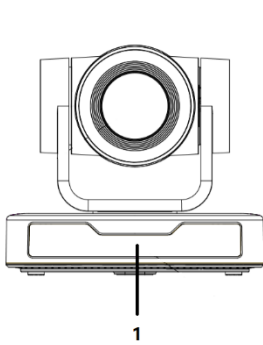
### 2.1 Speakerphone



- 1. Function keys
- 3. Power interface

- 2. Status indicator
- 4. DIN6 cable port

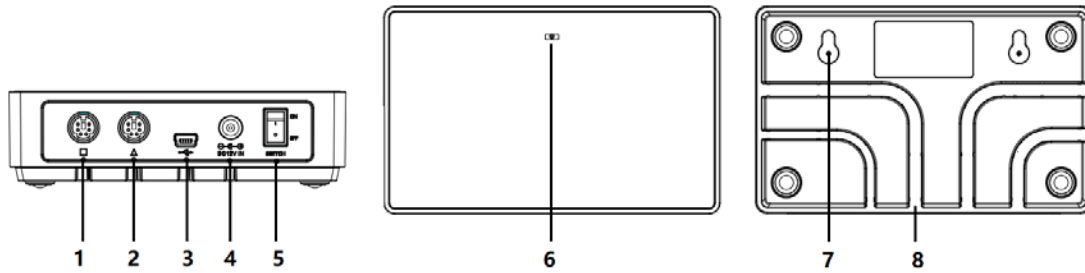
## 2.2 HD PTZ Camera



- 1. Power and infrared receiving indicator
- 3. Bracket mounting positioning hole

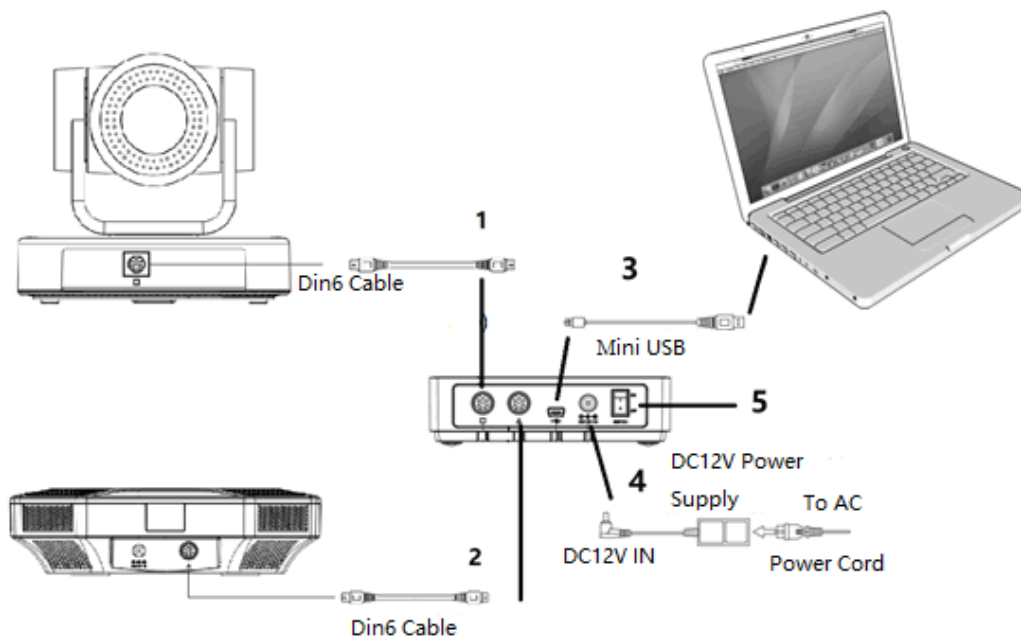
- 2. Bracket mounting screw holes
- 4. DIN6 Cable port

## 2.3 Hub



- |                    |                    |
|--------------------|--------------------|
| 1. DIN6 Cable port | 5. Power switch    |
| 2. DIN6 Cable port | 6. Power indicator |
| 3. Mini USB port   | 7. Screw holes     |
| 4. Power port      | 8. Wire slot       |

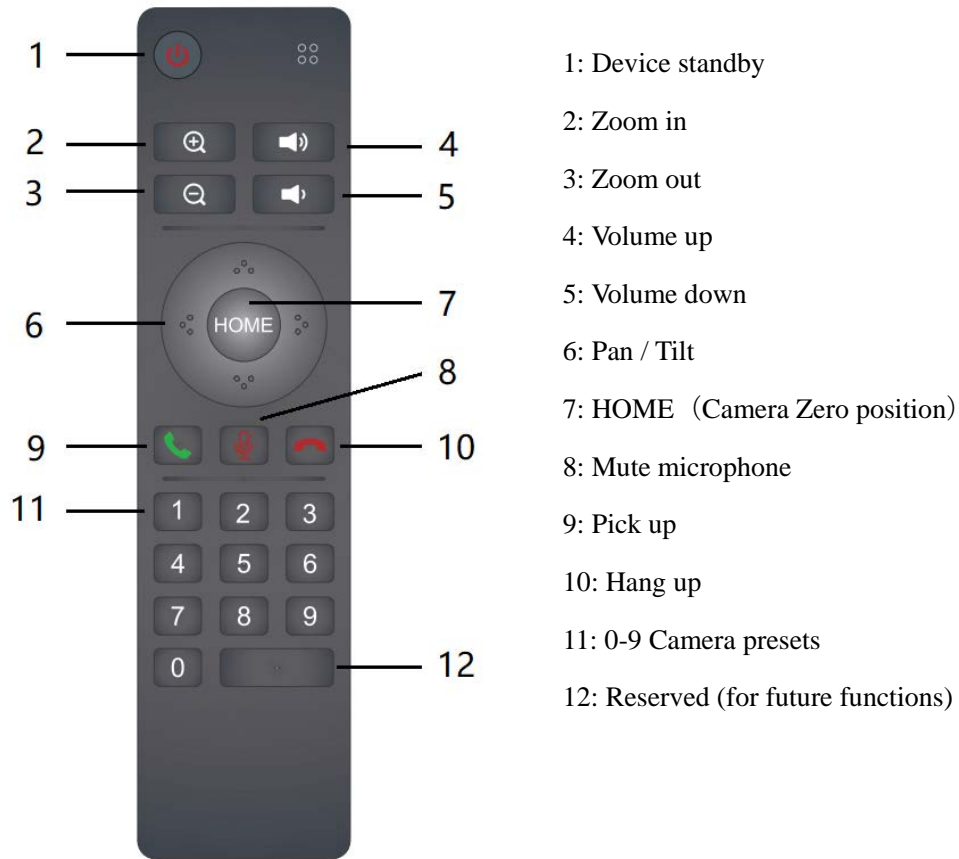
### 3. Connection Description



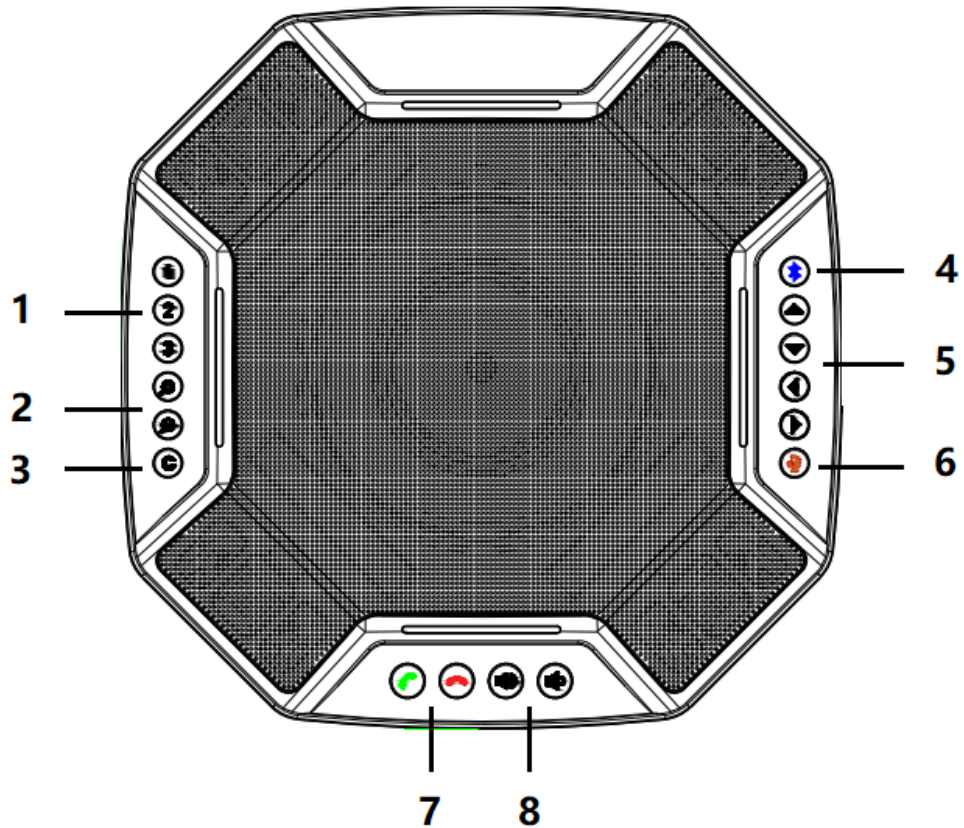
1. Connect camera and hub with original DIN6 data cable
2. Connect the speakerphone and hub with original DIN6 data cable
3. Connect the computer to the hub with the original USB cable
4. Connect with the original power adapter and power supply
5. Switch to power on

# 4. Keys Description

## 4.1 Keys Description of Remote Control



## 4.2 Keys Description of Speakerphone



- |                         |                            |
|-------------------------|----------------------------|
| 1. 1-3 Presets          | 2. Zoom in / Zoom out      |
| 3. Camera Zero position | 4. Bluetooth pairing       |
| 5. Camera pan / tilt    | 6. Mute microphone         |
| 7. Pick up / Hang up    | 8. Volume up / volume down |



## 5. Bluetooth Pairing

Once paired with a Bluetooth device, you can use the speakerphone for audio call.

To pair your Bluetooth device with the speakerphone, follow steps below:

1. Press and hold the Bluetooth pairing button until the status indicator flashes blue light. The speakerphone is under Bluetooth pairing mode.
2. Search with your Bluetooth device and connect.

## 6. Preset

### **How to save preset:**

Adjust the camera to the position that needs to be preset. Press and hold the preset button for 5 seconds. The corresponding preset position is set successfully. (Note: 10 preset positions (0-9) can be set on the remote control; 3 preset positions (1-3) available for the speakerphone. The preset 0 is the power-on preset position).

**How to use preset position:**

Short press the preset button to call the corresponding preset position (Note: the number key is invalid if it's not preset);

## 7. Technical Specifications

Model No.	HD PTZ Camera	
<b>Sensor</b>	1/2.8 inch high quality HD CMOS sensor	
<b>Effective Pixels</b>	2.07M, 16 : 9	
<b>Video Format</b>	1920×1080P@30fps/25fps;1280×720P@30fps/25fps; 1024×576P@30fps/25fps;960×540P@30fps/25fps; 800×448P@30fps/25fps;640×360P@30fps/25fps; 320×176P@30fps/25fps	
<b>Optical Zoom lens</b>	3X Optical Zoom; f=3.35mm~10.05mm	10X Optical Zoom; f=4.34mm~41.66mm
<b>View angle</b>	30° (tele) ;85° (wide)	8.8° (tele) ;68.8° (wide)
<b>Aperture</b>	F1.7 – F3.0	F1.85 – F2.43
<b>Digital Zoom</b>	10X	
<b>Minimum Illumination</b>	0.5Lux(F1.8, AGC ON)	
<b>DNR</b>	2D * 3D DNR	
<b>White Balance</b>	Auto/Manual/One Push/ 3000K/3500K/4000K/4500K/5000K/5500K/6000K/6500K/7000K	
<b>Focus</b>	Auto/Manual/One Push	
<b>Aperture/Electronic Shutter</b>	Auto/Manual	
<b>BLC</b>	ON/OFF	
<b>WDR</b>	OFF/ Dynamic level adjustment	
<b>Video Adjustment</b>	Brightness, Color, Saturation, Contrast, Sharpness, B/W mode, Gamma curve	

<b>SNR</b>	> 50dB
<b>Rotation angle</b>	Pan: -170° ~ +170°; Tilt: -30° ~ +30°
<b>Control speed</b>	Pan: 0.1 ~ 60°/s; Tilt: 0.1 ~ 30°/s
<b>Preset speed</b>	Pan: 60°/s; Tilt: 30°/s
<b>Dimension</b>	156.8mm×112.6mm×139.1mm (L×W×H)

<b>Model NO.</b>	<b>Speakerphone</b>
<b>Voice technical parameters</b>	Acoustic Echo cancellation (AEC) : >65dB Echo length cancellation : ≥400ms Bidirectional noise compression (NC) : <25dB Automatic Direction finding Technology of Intelligent microphone (EMI) Automatic gain control (AGC)
<b>Audio parameters</b>	Microphone frequency response : 100Hz-22KHz Speaker frequency response: 100Hz-22KHz Speaker volume: 95dB at the most Microphone sound-pickup diameter: 6 meters, 360 degrees full range
<b>Bluetooth</b>	Bluetooth devices available
<b>IR Reception</b>	Angle: 360° Distance: 10m IR Transparent transmission available
<b>Dimension</b>	200mm×200mm×55.9mm(L×W×H)

<b>Model NO.</b>	<b>Hub</b>
<b>Interface</b>	Mini DIN6 ×2 Power interface×1 Power switch×1 Mini USB interface×1
<b>Power Supply</b>	EC3800 plug(DC12V) Adapter input AC110V-AC220V,output DC12V/2.5A
<b>Data cable</b>	Mini DIN6 cable ×2; Length: 5m

<b>USB cable</b>	USB2.0 cable; Length: 3m
<b>Compatibility</b>	Support Windows, Android, iOS and Linux; Drive-free automatic recognition of cameras, microphones and speakers; Compatible with Zoom, Lynch, Vidyo, and etc.
<b>Dimension</b>	120mm×74mm×34.5mm(L×W×H)
<b>Accessories</b>	Power adapter, USB2.0 cable, Remote controller, DIN6 cable ×2, User manual