

**Prestel HD-F1U3
Fixed USB HD
Video Camera**



(V1.0)

Prestel HD-F1U3 fixed USB HD Video Camera

Product Advantages:

- Ultra crystal video quality: adopts advanced DSP, 1/2.8 inch 2 megapixel sensor and high quality 12 megapixel lens;
- All video, control and power over single USB cable;
- Smart and solid design;
- Plug & play, avoid focal length setting;
- Flexible hinge design: fit for monitor, PC, tripod, wall mount and on desk mounting;
- USB3.0 YUY2 / USB2.0 MJPG video format, works with Windows, MAC OS, Android, Linux os;
- Standard UVC 1.5 protocol, compatible with most VC application;

Product Features:

- USB3.0/2.0 super speed output;
- 12 megapixel fixed lens, 4x digital zoom;
- 108degree field of viewing;
- Lens distortion rate less than 5% (108° FOV); while even less than 1%(70° FOV)
- 1920x1080p30 high resolution;
- Without motor inside, zero mechanical failure risk;
- WDR, 3DNR, BLC, Anti-flicker feature;
- UVC control (via USB port)
- 2 years warranty

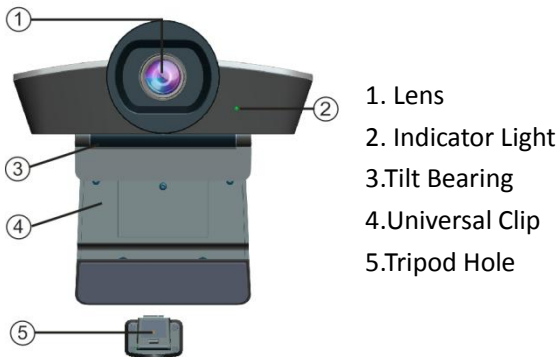
Prestel HD-F1U3 fixed USB HD Video Camera

Spec

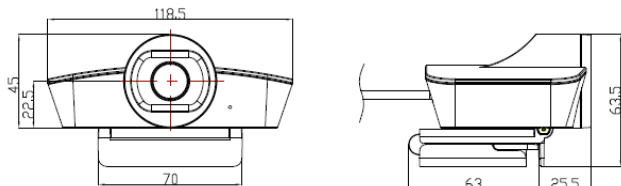
Sensor	1/2.8 inch high quality, 2.1 megapixel SONY CMOS sensor
Video Format	<i>USB 3.0 mode:</i> 1920*1080@30/25,1280*720@60/50/30/25 1024*576@30,960*540@30,704*576@30 360*640@30, 352*288@30
	<i>USB 2.0 mode:</i> 1280*720@25, 960*540@30, 704*576@30, 360*640@30, 352*288@30
Optical Zoom	12 megapixel fixed lens
Digital Zoom	4X
Field of Viewing	70°/108°
Sensor Resolution	2.1 megapixel
Control Port	USB3.0 (UVC)
Video Port	USB3.0
S/N Ratio	>50dB
Focal Length	f= 4.38mm/2.27mm
Minimum Lux.	0.1 lux
White Balance	Auto/Manual/Indoor/Outdoor
Iris	F 1.8
Electronic Shutter	Auto
Anti-Flicker	50HZ/60HZ/OFF
BLC	ON/OFF
WDR	Supported
Input Voltage	DC5V (USB3.0 port)
Dimension (L x W x H)	118.5mm×88.5mm×63.5mm
Net Weight	0.3KG

Prestel HD-F1U3 fixed USB HD Video Camera

Explanation:



Dimension Drawing : (mm)



Prestel HD-F1U3 fixed USB HD Video Camera

Suggested Installation Modes:



Model 1: on top of laptop



Model 2: on top of monitor



Model 3: on top of flat TV screen



Model 4: at the bottom of TV



Model 5: wall mount