



## Prestel C-4KHDP

18Gbps  
HDMI to DP Converter



[USER MANUAL](#)

## Thank you for purchasing this product

For optimum performance and safety, please read these instructions carefully before connecting, operating or adjusting this product. Please keep this manual for future reference.

## Surge protection device recommended

This product contains sensitive electrical components that may be damaged by electrical spikes, surges, electric shock, lightning strikes, etc. Use of surge protection systems is highly recommended in order to protect and extend the life of your equipment.

## Table of Contents

1. Introduction.....	1
2. Features.....	1
3. Package Contents.....	1
4. Specifications.....	2
5. Operation Controls and Functions.....	3
6. Application Example.....	4

## 1. Introduction

This HDMI to DP Converter has 1 HDMI INPUT, 1 HDMI LOOP OUT and 1 DP OUTPUT, which can convert HDMI signal to DP signal with video resolution up to 4K2K@60Hz 4:4:4. The DP port supports DP1.2. This converter can be widely used in video conference, multi-media broadcasting and other related occasions.

## 2. Features

- ☆ HDMI 2.0b, HDCP 2.2, and DVI 1.0 compliant
- ☆ Support 18Gbps HDMI video bandwidth
- ☆ Video resolution up to 4K@60Hz 4:4:4
- ☆ Output supports DP1.2
- ☆ Up to 7.1CH audio pass-through, supporting PCM, Dolby TrueHD, DTS-HD Master Audio
- ☆ Compact in design, plug and play

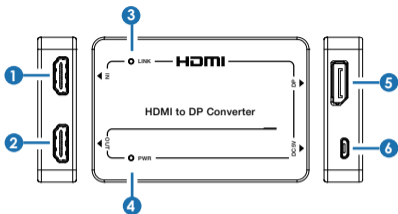
## 3. Package Contents

- ① 1× HDMI to DP Converter
- ② 1× USB Shielded Cable (USB-A to Micro USB, 1m)
- ③ 1× User Manual

## 4. Specifications

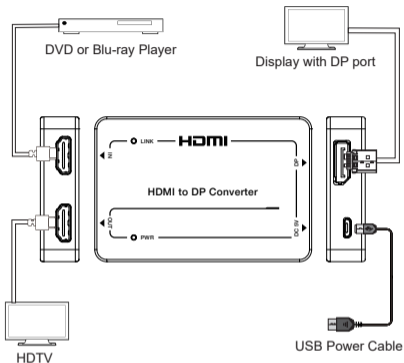
<b>Technical</b>	
HDMI Compliance	HDMI 2.0b
HDCP Compliance	HDCP 2.2
Video Bandwidth	594MHz/18Gbps
Video Resolution	<b>HDMI input:</b> Up to 4K@60Hz 4:4:4 <b>HDMI Loop out:</b> 480i ~1080p50/60Hz, 4Kx2K@24/30Hz, 4K2K@60Hz <b>DP output:</b> 480p60Hz, 576p50Hz~1080p50/60Hz, 4Kx2K@24/30Hz, 4K2K@60Hz
Color Depth	8/10/12-bit
Color Space	RGB, YCbCr 4:4:4 / 4:2:2, YUV 4:2:0
Audio Format	Up to 7.1CH audio pass-through, supporting PCM, Dolby TrueHD, dts-HD Master Audio
<b>Connection</b>	
Input	1×HDMI IN [Type A, 19-pin female]
Outputs	1×HDMI OUT [Type A, 19-pin female] 1×DP [20-pin female]
<b>Mechanical</b>	
Housing	Plastic Enclosure
Color	Black
Dimensions	90mm[W] × 60mm[D] × 16mm[H]
Weight	47g
Power Supply	USB 5V / 1A
Power Consumption	3.2W (Max)
Operation Temperature	32 - 104°F / 0 - 40°C
Storage Temperature	-4 - 140°F / -20 - 60°C
Relative Humidity	20 - 90% RH (no condensation)

## 5. Operation Controls and Functions



No.	Name	Function Description
1	HDMI IN	HDMI signal input port, connect to a source device via the HDMI cable.
2	HDMI OUT	HDMI signal loop out port, connect to a display device such as TV via the HDMI cable.
3	LINK LED (Green)	The link LED lights in green when the HDMI LOOP OUT port or DP port outputs signals to the connected display device.
4	PWR LED (Green)	The power LED lights in green when the device is powered on.
5	DP OUT	DP signal output port, connect to a display device with DP port.
6	DC 5V	DC 5V/1A power input port.

## 6. Application Example



**HDMI™**  
HIGH DEFINITION MULTIMEDIA INTERFACE

The terms HDMI and HDMI High-Definition Multimedia interface, and the HDMI Logo are trademarks or registered trademarks of HDMI Licensing LLC in the United States and other countries.