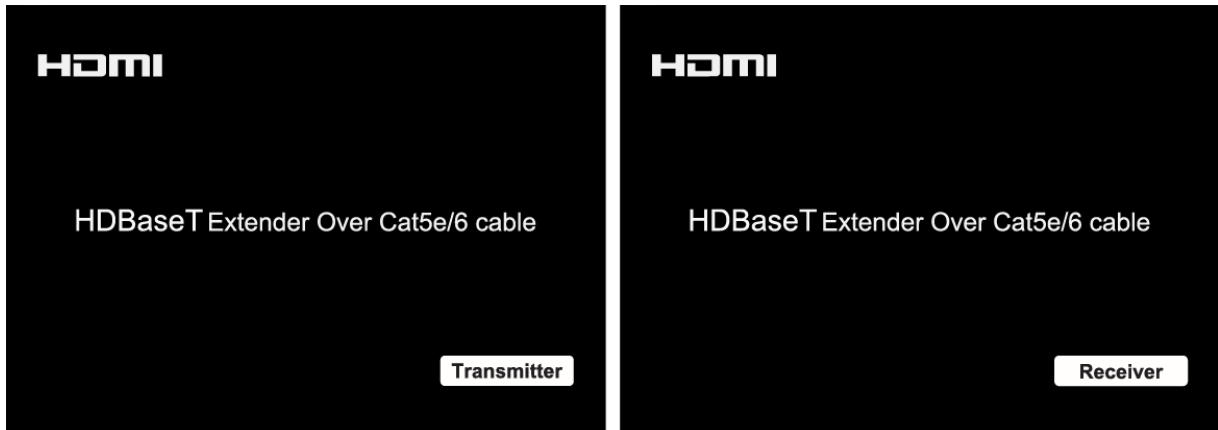


100M HDBaseT Extender

With Audio Embedded, Audio Extraction, POC, Ethernet

Operating Instructions



Dear Customer

Thank you for purchasing this product. For optimum performance and safety, please read these instructions carefully before connecting, operating or adjusting this product. Please keep this manual for future reference.

Features

- Incorporate HDBaseT technology
- Transmit up to 100m under the 1080P and up to 70m under 4K
- HDCP2.2/1.4 compliant
- Support 3D
- Support dual POC(Receiver powered by transmitter or transmitter powered by Receiver)
- Support RS232, Ethernet pass through
- Support Wide-band Bi-directional IR (38KHz to 56 KHz)
- Input audio: SPDIF 5.1 and L/R Analog Audio Embedded at transmitter
- Output audio: SPDIF 5.1 and L/R Stereo Analog Audio Extraction at receiver

Notice

Our company reserves the right to make changes in the hardware, packaging and any accompanying documentation without prior written notice.

TABLE OF CONTENTS

Package Contents

Panel Descriptions

Connecting and Operating

Maintenance

Product service

Warranty

Package Contents

- ① Main unit.(Transmitter&Receiver)
- ② Operating instructions.
- ③ 24VDC power supply.
- ④ 2xIR TX unit. (IR emitter cable, 1 pcs for TX, 1 pcs for RX)
- ⑤ 2xIR RX unit. (IR receiver cable, 1 pcs for TX, 1pcs or for RX)
- ⑥ 2 Phoenix plugs for RS232 cable termination

Specifications

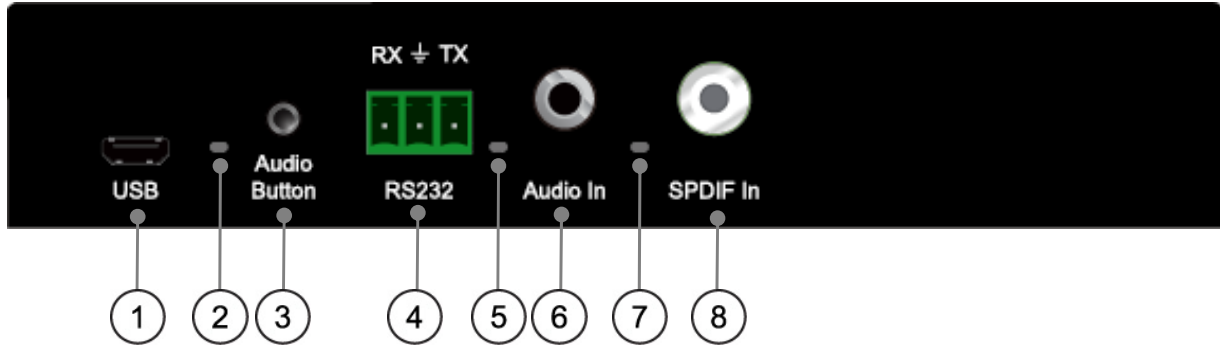
| | |
|-------------------------------|--|
| Operating Temperature Range | -5 to +35°C (+23 to +95 °F) |
| Operating Humidity Range | 5 to 90 % RH (no condensation) |
| Input Video Signal | 0.5-1.0 volts p-p |
| Input DDC Signal | 5 volts p-p (TTL) |
| Video Format Supported | 4K@60Hz(YUV4:2:0 8bit), 4K@30Hz 1080P/1080i/720P/576P/480P/576i/480i |
| Output Video | HDCP1.4/2.2 |
| Output Audio | Dolby True HD, DTS-HD Master Audio |
| IR Frequency | 38-56KHz |
| RS232 Baud rate | Up to 115200bps |
| Maximum Transmission Distance | 100 meters for 1080P, 70 meters for 4K |
| Power Supply | DC 24V |
| Support dual POC | Receiver powered by transmitter or transmitter powered by Receiver |
| Power Consumption | 13Watts |
| Dimensions | TX/RX: 152.2mmHx112.4mmWx28mmD |
| Mass (Main unit) | TX:459.2g RX:464.5g |

NOTE: Specifications are subject to change without notice. Mass and dimensions are approximate.

Panel Descriptions

1. TX (Transmitter)

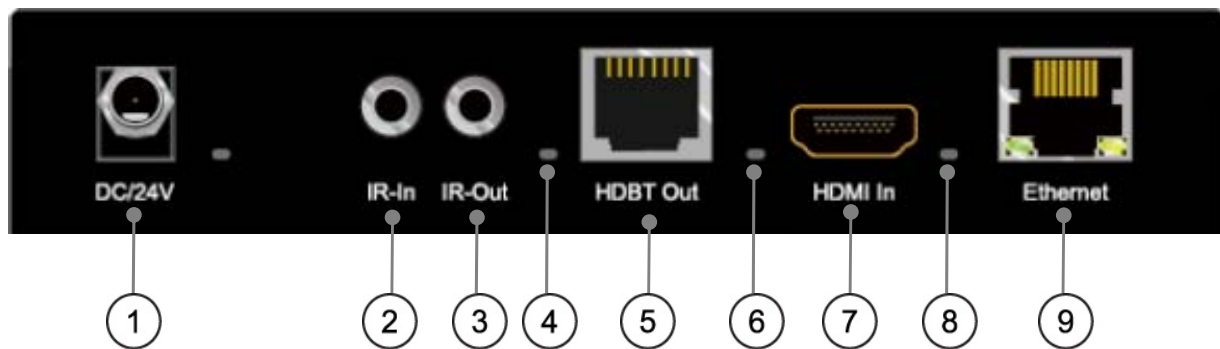
Front Panel



- 1). USB port
- 2). Indicator of system run
- 3). Audio Button/Reset*
- 4). RS232 port
- 5). Indicator of Analog Audio Input
- 6). Analog Audio In port
- 7). Indicator of SDPIF Input
- 8). SDPIF In port

***Note: 1) Audio input is from HDMI by default , first press to switch to SPDIF Audio input and indicator ⑦ will light up , second press to switch to Analog audio input and indicator ⑤ will light up.
2) Press for 3 seconds for Reset.**

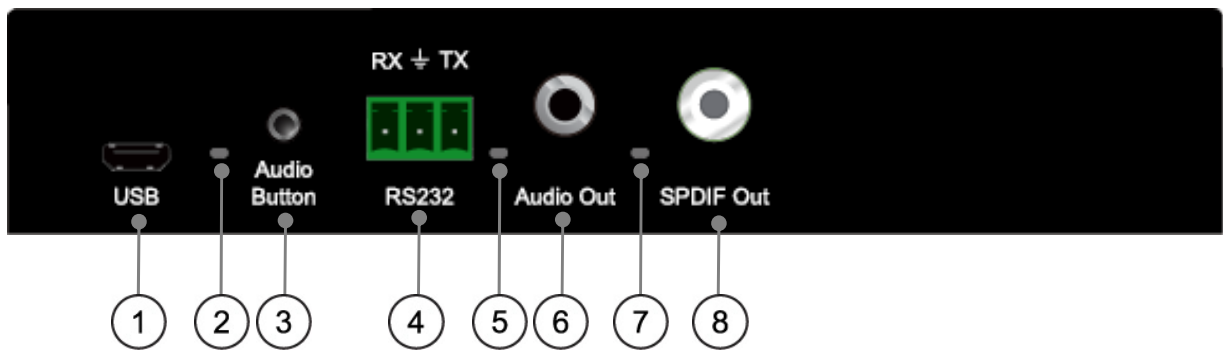
Back Panel



- 1). Power input
- 2). IR-In
- 3). IR-Out
- 4).Indicator of HDBaseT Link
- 5). HDBaseT Out port
- 6).Indicator of Extender system run
- 7). HDMI In port
- 8). Indicator of HDMI In
- 9). Ethernet port

2. RX (Receiver)

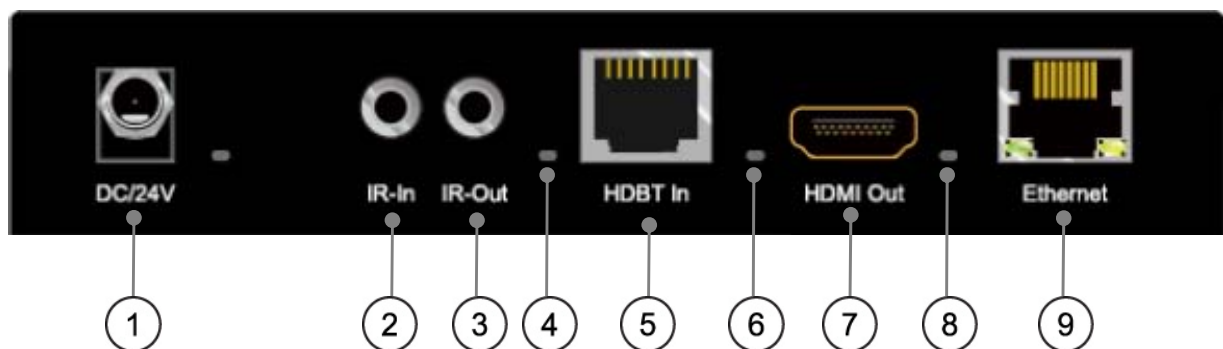
Front Panel



- 1). USB port
- 2). Indicator of system run
- 3). Audio Button/Reset*
- 4). RS232 port
- 5). Indicator of Analog Audio Output
- 6). Analog Audio Out port
- 7). Indicator of SPDIF Output
- 8). SPDIF Out port

* **Note: 1) Audio output is from HDMI by default, first press to switch to SPDIF Audio output and indicator ⑦ will light up, second press to switch to Analog audio output and indicator ⑤ will light up**
2) Press for 3 seconds for Reset.

Back Panel



- 1). Power input
- 2). IR-In
- 3). IR-Out
- 4). Indicator of HDBaseT Link
- 5). HDBaseT In port
- 6). Indicator of Extender system run
- 7). HDMI Out port
- 8). Indicator of HDMI Out
- 9). Ethernet port

Connections and Operations

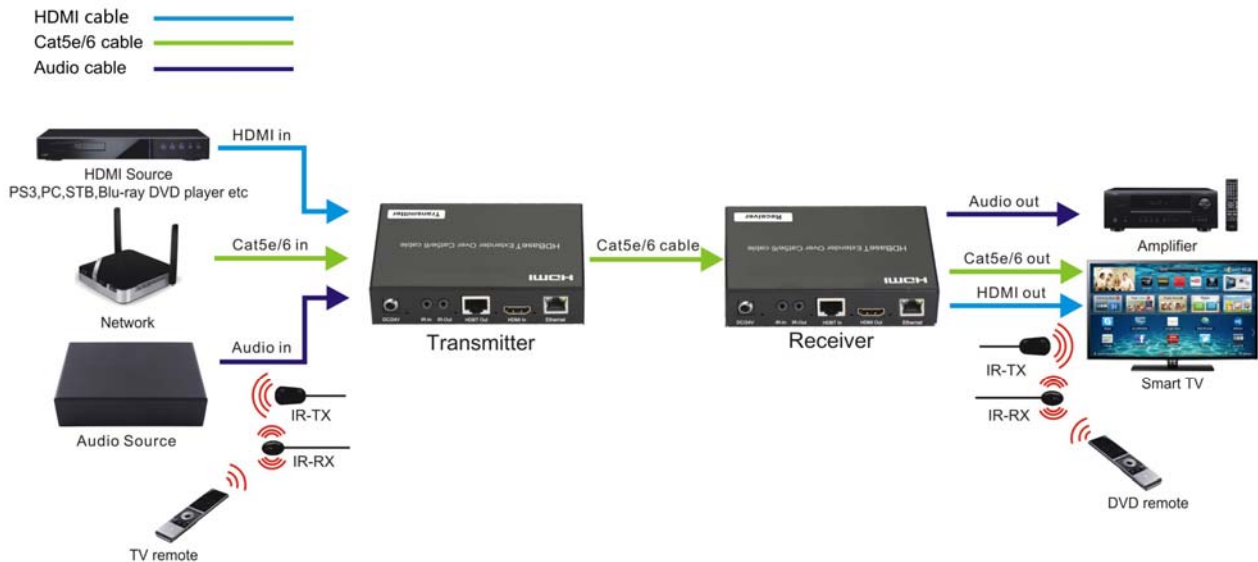
- 1) Connect the HDMI input source (such as HD-DVD, PS3, STB etc.) to TX.
- 2) Connect a CAT-5E/6E cable from HDBaseT output of TX to HDBaseT input of RX.
- 3) Connect the HDMI sink (such as HD-LCD、HD-DLP) to RX.
- 4) Connect the IR TX UNIT into IR-Out port of the Transmitter; Connect the IR RX UNIT into IR-In port of the Receiver.
- 5) Connect the IR RX UNIT into IR-In port of the Transmitter; Connect the IR TX UNIT into IR-Out port of the Receiver.
- 6) Connect the 24V power supply into Transmitter or Receiver.

Attention: Please insert and extract cables gently.



Please connect HDBaseT out and HDBaseT in by one Cat5e/6 cable, please don't connect HDBaseT port with Ethernet, doing so will damage your unit !

Typical Application



PRODUCT SERVICE

(1) Damage requiring service:

The unit should be serviced by qualified service personnel if:

- (a) The DC power supply cord or AC adapter has been damaged;
- (b) Objects or liquids have gotten into the unit;
- (c) The unit has been exposed to rain;
- (d) The unit does not operate normally or exhibits a marked change in performance;The unit has been dropped or the cabinet damaged.

(2) Servicing Personnel: Do not attempt to service the unit beyond that described in these operating instructions. Refer all other servicing to authorized servicing personnel.

(3) Replacement parts: When parts need replacing ensure the service uses parts specified by the manufacturer or parts that have the same characteristics as the original parts. Unauthorized substitutes may result in fire, electric shock, or other Hazards.

(4) Safety check: After repairs or service, ask the service to perform safety checks to confirm that the unit is in proper working condition.

WARRANTY

If your product does not work properly because of a defect in materials or workmanship, our Company (referred to as "the warrant-or") will, for the length of the period indicated as below, **(Parts(2)Year, Labor(90) Days)** which starts with the date of original purchase ("Limited Warranty period"), at its option either(a) repair your product with new or refurbished parts, or (b) replace it with a new of a refurbished product. The decision to repair or replace will be made by the warrant-or.

During the "Labor" Limited Warranty period there will be no charge for labor. During the "Parts" warranty period, there will be no charge for parts. You must mail-in your product during the warranty period. This Limited Warranty is extended only to the original purchaser and only covers product purchased as new. A purchase receipt or other proof of original purchase date is required for Limited Warranty service.

MAIL-IN SERVICE

When shipping the unit carefully pack and send it prepaid, adequately insured and preferably in the original carton. Include a letter detailing the complaint and provide a day time phone and/or email address where you can be reached.

LIMITED WARRANTY LIMITS AND EXCLUSIONS

1. This Limited Warranty ONLY COVERS failures due to defects in materials or workmanship, and DOES NOT COVER normal wear and tear or cosmetic damage.

The Limited Warranty ALSO DOES NOT COVER damages which occurred in shipment, or failures which are caused by products not supplied by warrantor, or failures which result from accidents, misuse, abuse, neglect, mishandling, misapplication, alteration, faulty installation, set-up adjustments, maladjustment of consumer controls, improper maintenance, power line surge, lightning damage, modification, or service by anyone other than a Factory Service center or other Authorized Servicer, or damage that is attributable to acts of God.

2. THERE ARE NO EXPRESS WARRANTIES EXCEPT AS LISTED UNDER "LIMITED WARRANTY COVERAGE". THE WARRANTOR IS NOT LIABLE FOR INCIDENTAL OR CONSEQUENTIAL DAMAGES RESULTING FROM THE USE OF THIS PRODUCT, OR ARISING OUT OF ANY BREACH OF THIS WARRANTY. (As examples, this excludes damages for lost time, cost of having someone remove or re-install an installed unit if applicable, travel to and from the service, loss of or damage to media or images, data or other recorded content. The items listed are not exclusive, but are for illustration only.)

3. PARTS AND SERVICE, WHICH ARE NOT COVERED BY THIS LIMITED WARRANTY, ARE YOUR RESPONSIBILITY.